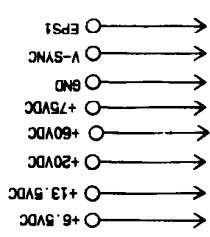


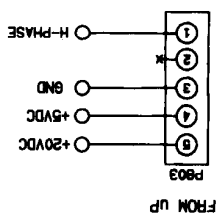
A.3 Deflection Circuit Diagram

REMARK "*" MEAN IS 7136, 7156 BOM DIFFERENCE :

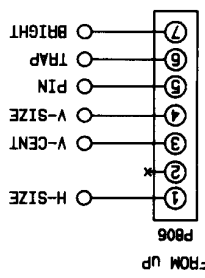
LOCATION	J204	J205	R235	R237	R245	R248	R317	R318	R320	R321	R3
14"	J.M	J.M	130K	390K	2K	4.7	2.4K	68K	15K	160K	66
15"	J.M	J.M	120K	150K	2.2K	2.2	3.32K	51K	22K	100K	36
MODE											



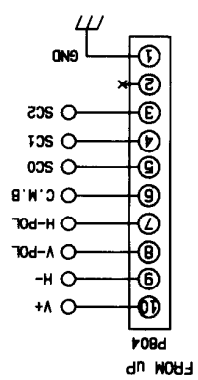
TO SMPs



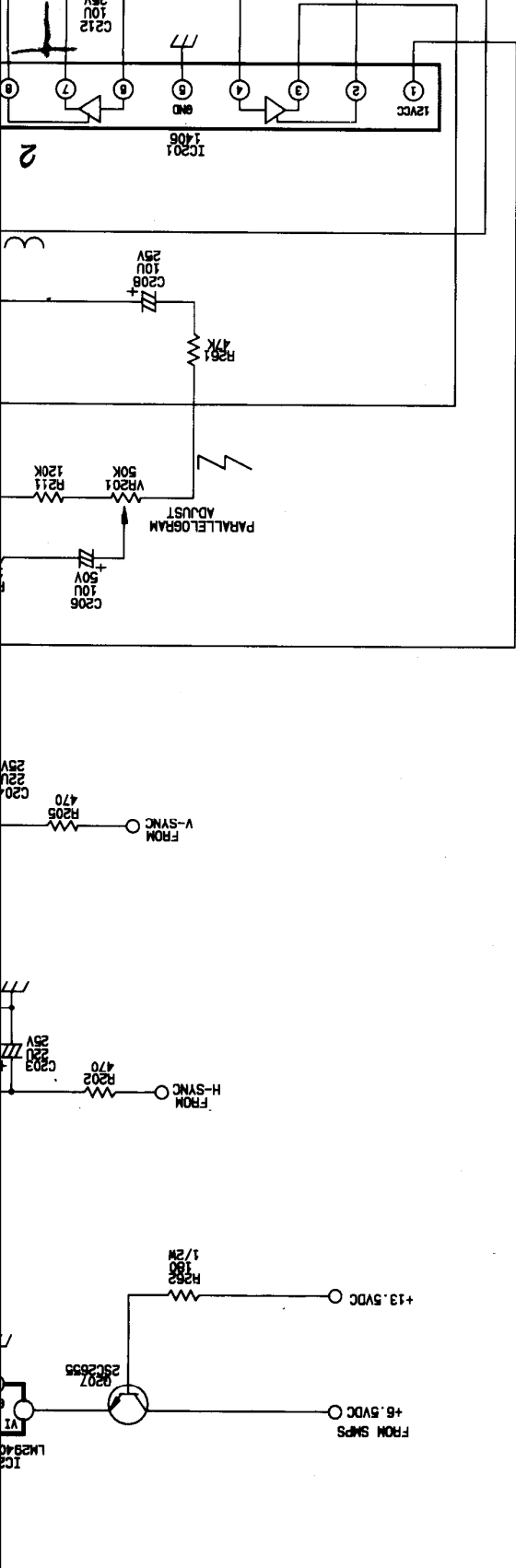
FROM UP



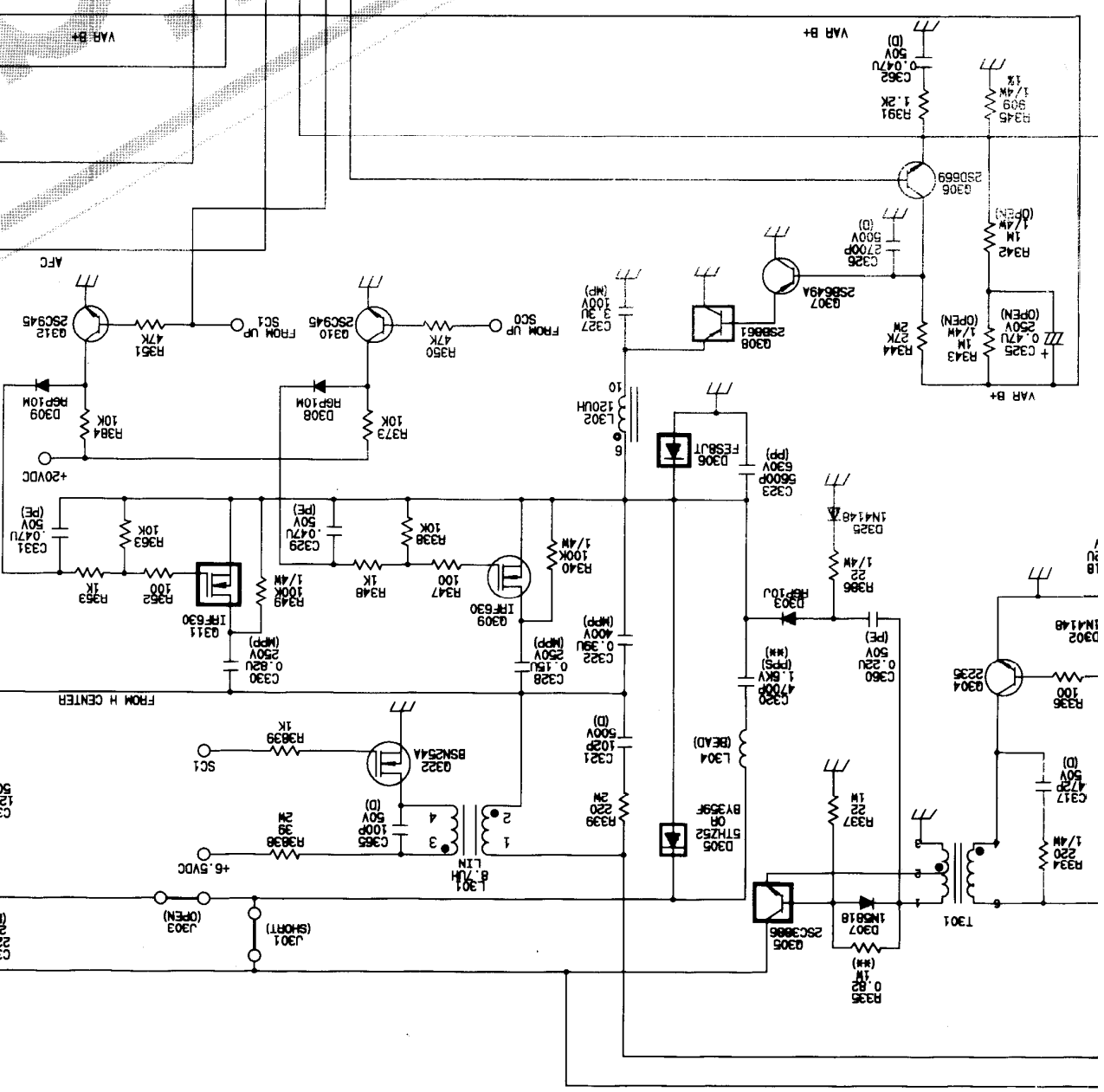
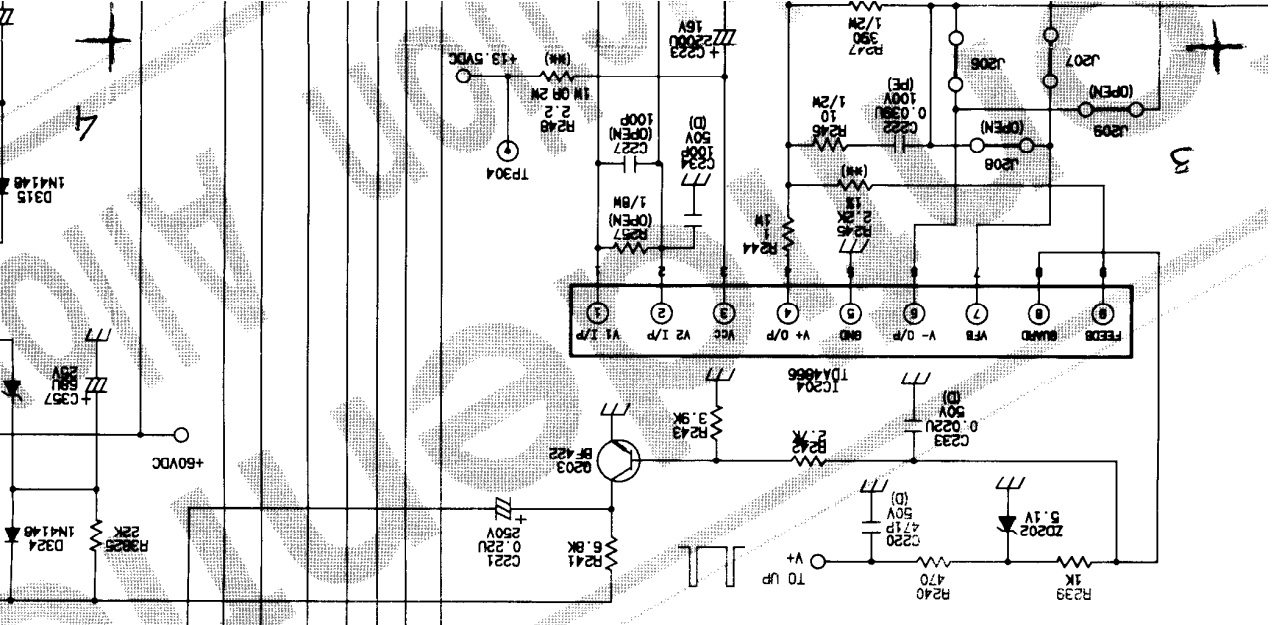
FROM UP

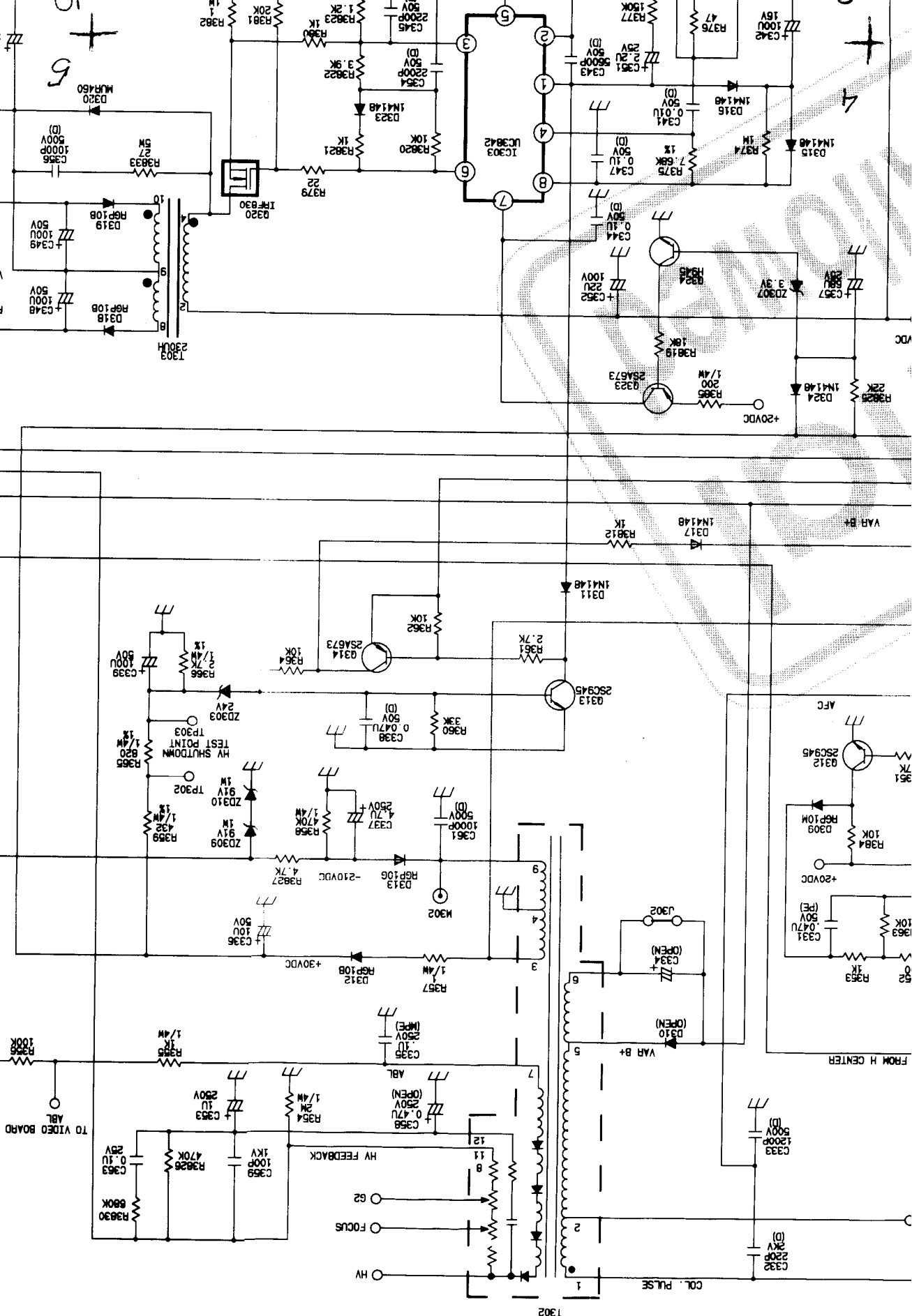


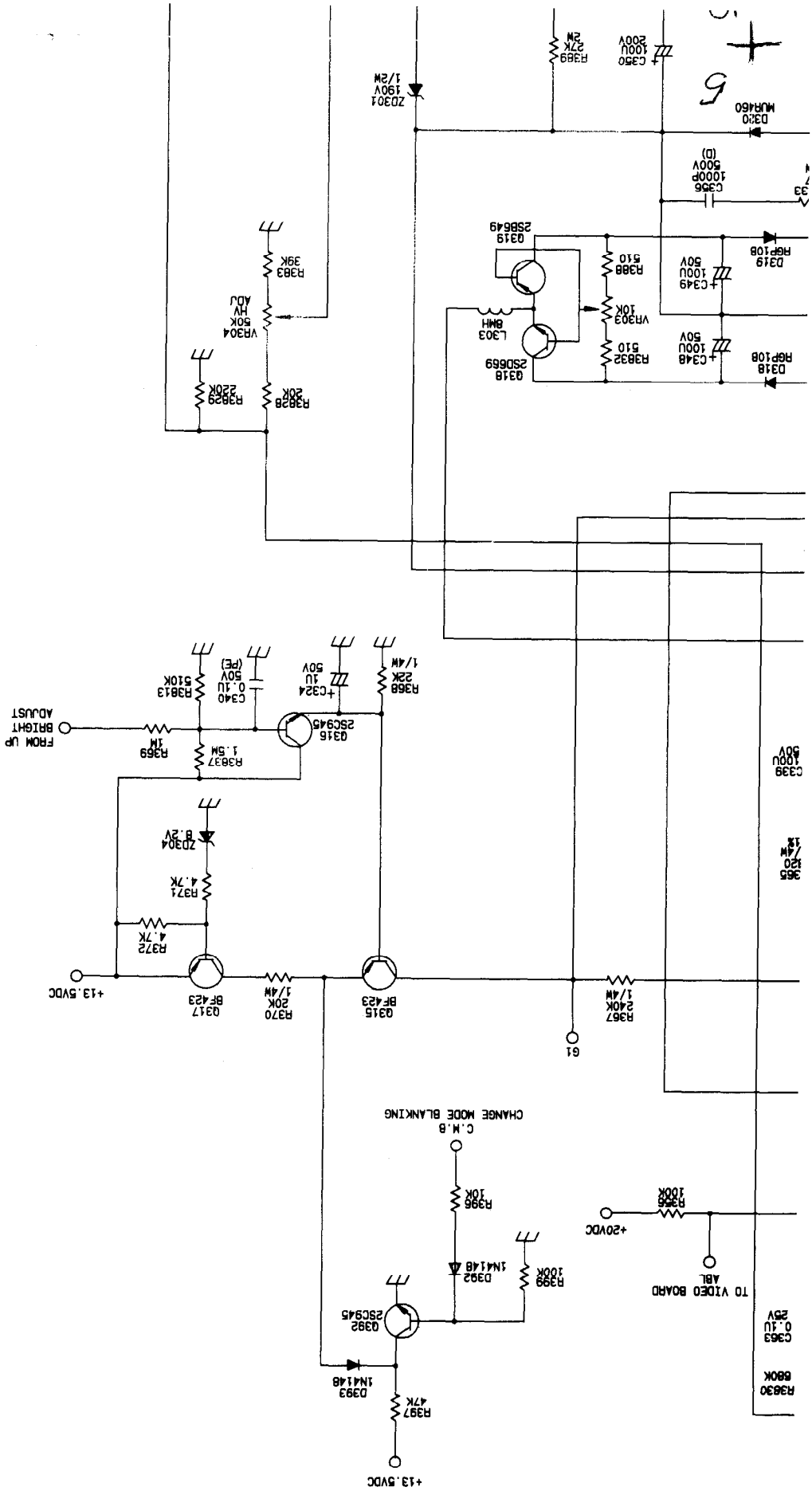
FROM UP

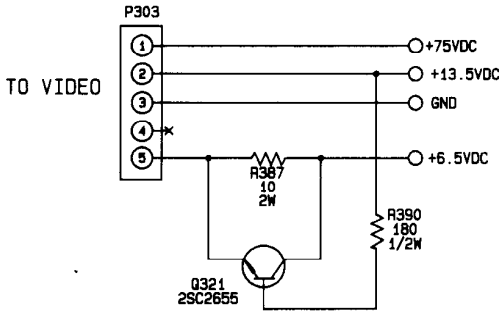
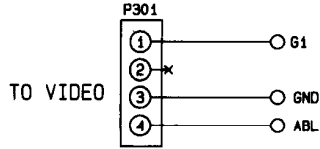
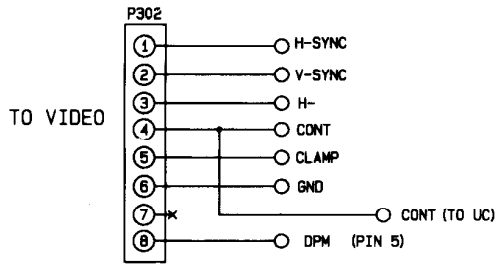


6
1





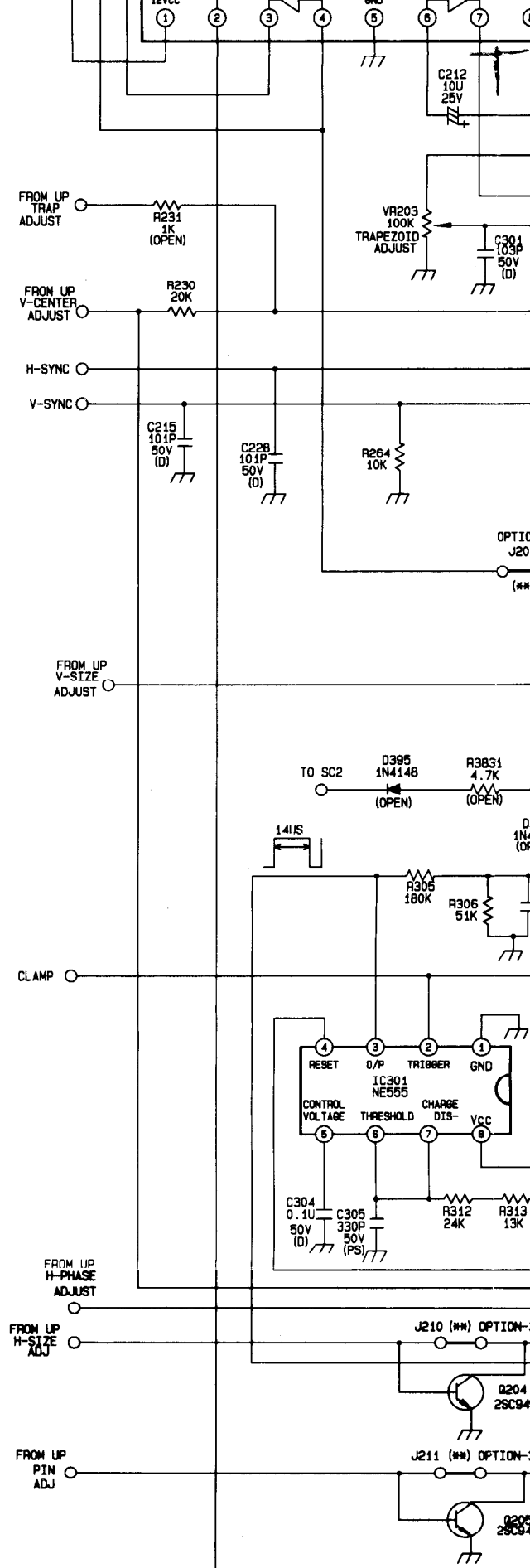


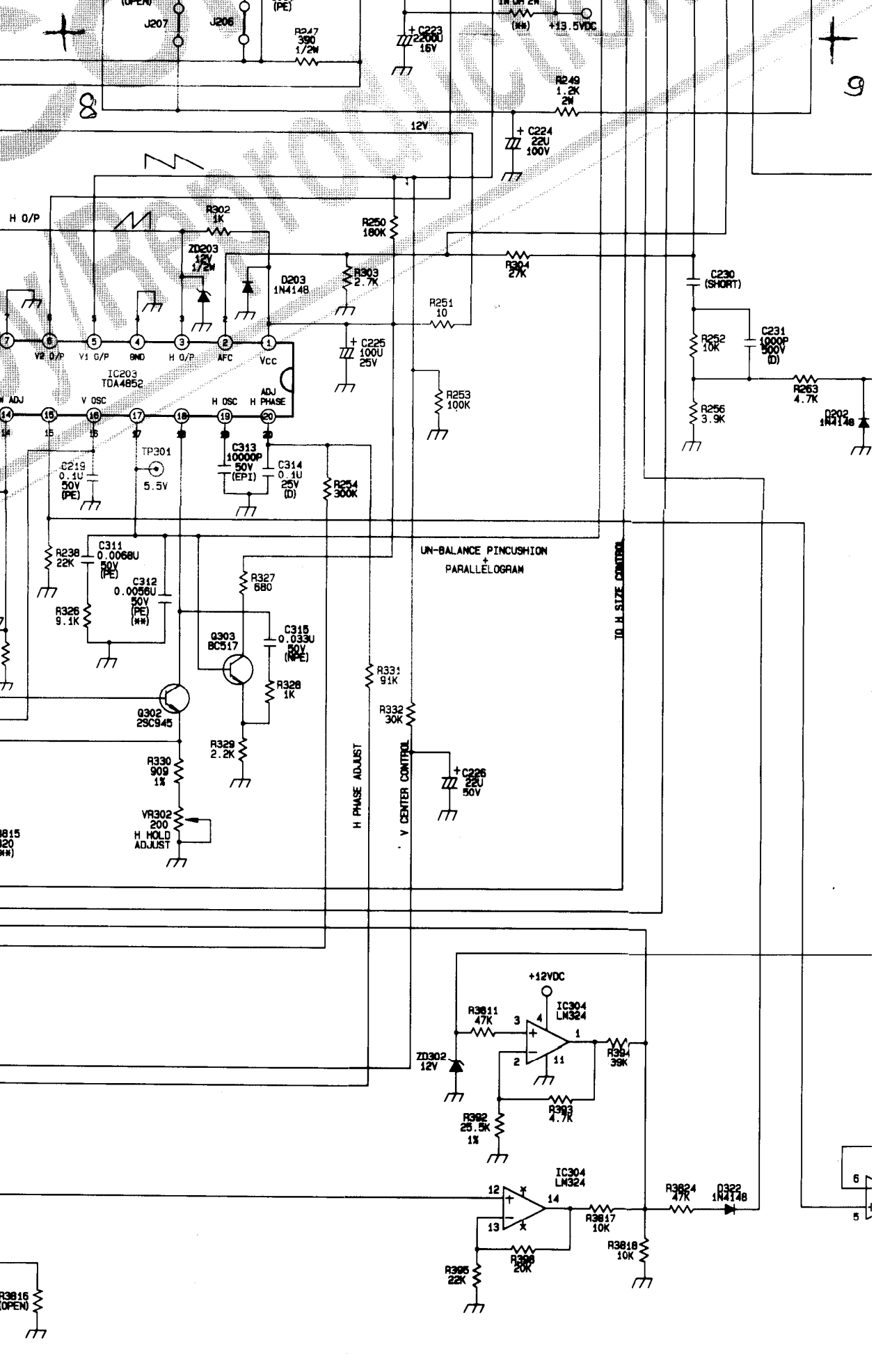


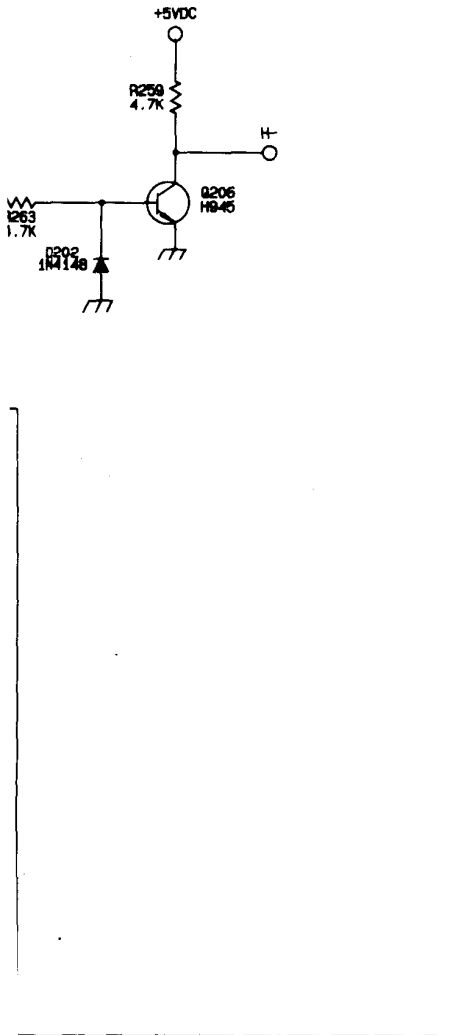
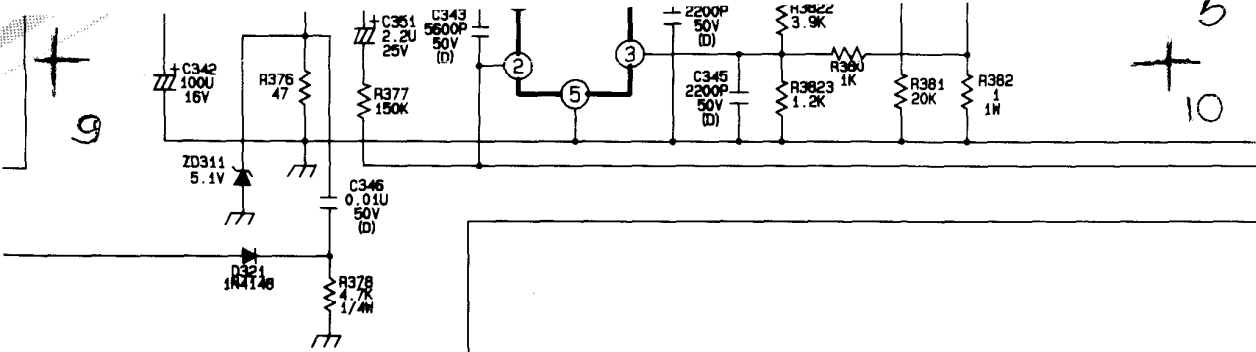
REMARK:

- A. OPTION-1 IS 14" MODE
- B. OPTION-2 IS 15" MODE
- C. OPTION-3 IS 14", 15" NON-OSD MODE

PCB LOCATION CRT	R245	R248	R258	C229	R263	R3036	L301
MEC15" N36KPC	NF 2.2K F	2.2 2W	110K F	EL 10U 50V	4.7K	39 2W	8.7UH
HIT15" N36KLH	NF 2K F	3.9 2W	OPEN	OPEN	10K	27 2W	9.9UH

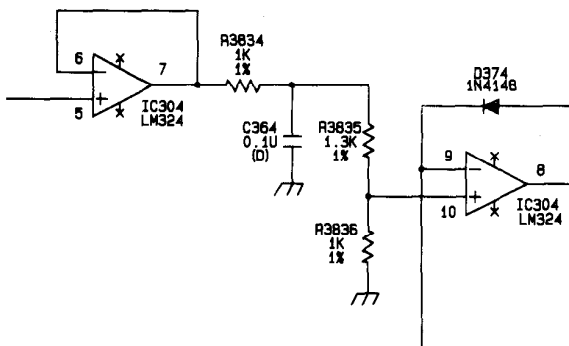


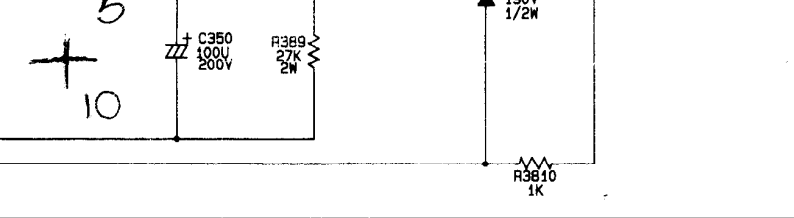




NOTES

1. RESISTOR VALUES ARE IN OHM, K=1.000 OHM M=1.000, 000
2. ALL RESISTORS ARE 1/8WATT EXCEPT WHERE OTHERWISE INDI
3. CAPACITOR VALUES ARE IN UF UNLESS OTHERWISE INDICATE
4. ALL CAPACITORS ARE 50V EXCEPT WHERE OTHERWISE INDIC/
5. --- REPRESENTS PCB COMMON GROUND AND --- EARTH (ME






1	2	3	4	5
6	7	8	9	10


OHM M=1.000, 000 OHM

UNLESS OTHERWISE INDICATED

UNLESS OTHERWISE INDICATED P=PF

UNLESS OTHERWISE INDICATED

 EARTH (METALLIC FRAME) GROUND

 明善電腦股份有限公司 Acer Peripherals, Inc.			
ACERVIEW 7156 SCHEMATICS (DEF. CKT)			
SIZE A1	156MN-8		REV. S5
DATE:	2/3/1994	SHEET	1 OF 1